

RC10

Rope/Chain Series

[Introduction](#) [Features](#) [Specifications](#) [Product Codes](#)



Power and Sailing Boats

Maxwell's all new RC10 series windlasses proudly follow in the highly successful footsteps of the Freedom, Liberty and HRC fully automatic rope/chain anchor winches.

**THE RC10
LOW PROFILE VERSION**



NEW
STAINLESS STEEL RC10
AUTOMATIC ROPE/CHAIN WINDLASS
AVAILABLE LATE 2009

3 YEAR
Limited Warranty

MAXWELL

RC10

Rope/Chain Series

Introduction **Features** Specifications Product Codes



FEATURES

Power and Sailing Boats

- The all new RC10 fully automatic windlass series is designed to effortlessly retrieve and deploy 8mm (5/16") and 10mm (3/8") short link chain and 14mm (9/16") and 16mm (5/8") three strand or 8-plait rope.
- Sleek, low profile and Max-grip™ capstan drum versions are available to suit individual user preference.
- Simple two piece installation saves time and money and allows easy retrofitting without disassembly of the windlass. Unique spacer tube design allows installation through virtually any deck thickness and the multiple mounting positions and self aligning gearbox ensure optimal location of gearbox and motor in virtually all installation situations.
- Full disassembly capability of top works utilising handle provided, a screw driver and an allen key. No special tools required.
- The RC10 is manufactured from marine grade chromed bronze for long term durability. The heavy duty stainless steel pressure arm, coupled with the unique rope/chain gypsy, is designed to effectively grasp the splice between rope and chain, giving the RC10 an unparalleled level of performance.
- In combination with a longer, heavy duty, large wire diameter, stainless steel pre-loaded spring, the pressure arm always exerts maximum control pressure as it pivots on a trouble free brass bearing.
- The RC10 works just as effectively with all chain rodes for those who desire a low profile, elegantly styled windlass on their foredeck.
- Huge, through deck hawse pipe throat ensures easy entry of the rope/chain rode into and out of the anchor locker.
- Cone type clutch/brake mechanism permits manual, free-fall anchoring.
- Sealed oil bath and marine grade hard anodised, alloy gearbox provides high efficiency output drive via precision worm and wormwheel.



RC10 CAPSTAN VERSION



3 YEAR
Limited Warranty

STANDARD EQUIPMENT

Circuit breaker/isolator panel
Dual direction solenoid pack
Up/down remote control panel

Emergency crank/clutch
release handle

OPTIONAL EXTRAS

Auto Anchor™ Rode Counters
Capstan model
Footswitches
AutoCleave
Chain stopper
Chain snubber

MAXWELL

RC10

Rope/Chain Series

Introduction Features **Specifications** Product Codes



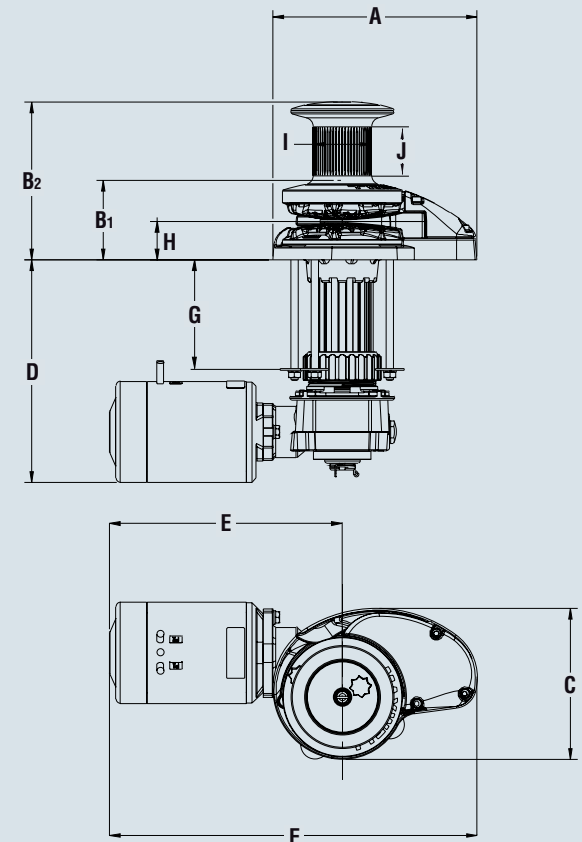
Power and Sailing Boats

SPECIFICATIONS

Model	RC10 8mm - 5/16"	RC10 10mm - 3/8"
Maximum Pull	545kg 1200lbs	680kg 1500lbs
Chain Speed (Normal Working load)	18m/min 60ft/min	17m/min 56ft/min
Rope Speed (Normal Working load)	17m/min 56ft/min	16m/min 53ft/min
Power Supply (DC)	12 or 24V	12 or 24V
Motor (Watts)	1000W	1200W
Rope Size 3 strand or 8 plait (8 plait recommended)	14mm 9/16"	16mm 5/8"
Chain Short Link	8mm 5/16"	10mm 3/8"
Net Weight	19kg 42lbs	20kg 44lbs

DIMENSIONS

Model	RC10 8mm - 5/16"	RC10 10mm - 3/8"
A	230mm 9 1/8"	230mm 9 1/8"
B1	89mm 3 1/2"	89mm 3 1/2"
B2 (with capstan)	168mm 6 5/8"	168mm 6 5/8"
C	170mm 6 3/4"	170mm 6 3/4"
D	251mm 10"	251mm 10"
E	272mm 10 3/4"	272mm 10 3/4"
F	424mm 16 3/4"	424mm 16 3/4"
G (Std deck clearance)	100mm 4"	100mm 4"
H	43mm 1 3/4"	43mm 1 3/4"
I	66mm 2 5/8"	66mm 2 5/8"
J	44mm 1 7/8"	44mm 1 7/8"



Important: Maxwell windlasses must be used in conjunction with a chain stopper and/or alternative snubbing device to take the load off the windlass while laying at anchor. The chain stopper and alternative snubbing system should also be used to secure the anchor in the fully raised position while under way.

3 YEAR
Limited Warranty

MAXWELL

RC10

Rope/Chain Series

Introduction Features Specifications **Product Codes**



Power and Sailing Boats

PRODUCT CODES

Product code	Model
P102540	RC 10-8 (for 8mm/ 5/16" chain spliced to 14mm/ 9/16" line) 12 Volt
P102541	RC 10-8 (for 8mm/ 5/16" chain spliced to 14mm/ 9/16" line) 24 Volt
P102542	RC 10-8 with Capstan (for 8mm/ 5/16" chain spliced to 14mm/ 9/16" line) 12 Volt
P102543	RC 10-8 with Capstan (for 8mm/ 5/16" chain spliced to 14mm/ 9/16" line) 24 Volt
P102544	RC 10-10 (for 10mm/ 3/8" chain spliced to 16mm/ 5/8" line) 12 Volt
P102545	RC 10-10 (for 10mm/ 3/8" chain spliced to 16mm/ 5/8" line) 24 Volt
P102546	RC 10-10 with Capstan (for 10mm/ 3/8" chain spliced to 16mm/ 5/8" line) 12 Volt
P102547	RC 10-10 with Capstan (for 10mm/ 3/8" chain spliced to 16mm/ 5/8" line) 24 Volt

Recommended Accessories



3 YEAR
Limited Warranty

MAXWELL

RC8

Rope/Chain Series

[Introduction](#) [Features](#) [Specifications](#) [Product codes](#)



Power and Sailing Boats

The RC8 automatic rope/chain anchor winches are Maxwell's newest editions to the highly successful RC Windlass Range.



**THE ALL NEW RC8
LOW PROFILE VERSION**

3 YEAR
Limited Warranty

MAXWELL

RC8

Rope/Chain Series

Introduction **Features** Specifications Product codes



FEATURES

Power and Sailing Boats

- The all new RC8-6 fully automatic rope/chain windlass is designed to effortlessly retrieve and deploy 6mm/7mm (1/4") chain spliced to 12mm (1/2") three strand or 8-plait rope.
- The larger RC8-8 can be used with 8mm (5/16") chain spliced to 14mm (9/16") three strand or 8-plait rope.
- The ingeniously designed rope/chain gypsy (chainwheel) is able to accommodate a wide range of chain pitch differences within the specified chain size diameters suitable for use with the RC8 Series.
- Sleek, low profile and MAX-grip™ capstan drum versions are available to suit individual user preference.
- Simple two piece installation saves time and money and allows easy retrofitting without disassembly of the windlass.
- Unique spacer tube design allows installation through virtually any deck thickness and the multiple mounting positions and self aligning gearbox ensure optimal location of gearbox and motor in virtually all installation situations.
- Full disassembly capability of top works utilising handle provided, a screw driver and an Allen key.
- The RC8 Series is manufactured from marine grade 316 stainless steel for long term durability. The heavy duty stainless steel pressure arm is designed to effectively help grasp the rope/chain splice, giving the RC8 an unparalleled level of performance.
- In combination with a heavy duty, large wire diameter, stainless steel pre-loaded spring, the pressure arm always exerts maximum control pressure.
- The RC8 works just as effectively with all-chain rodes for those who desire a low profile, elegantly styled windlass on their foredeck.
- Huge, through deck hawse pipe throat ensures easy entry of the rope/chain rode into and out of the anchor locker.
- Cone type clutch/brake mechanism permits manual, free fall anchoring.
- Manual override using the emergency crank handle provided
- Sealed oil bath and marine grade hard anodised, alloy gearbox provides high efficiency output drive via precision worm and worm wheel.



RC8 CAPSTAN VERSION WITH GEARBOX AND MOTOR



3 YEAR
Limited Warranty

STANDARD EQUIPMENT

Circuit breaker/isolator panel
Dual direction solenoid pack
Up/down remote control panel
Emergency crank/clutch release handle

OPTIONAL EXTRAS

Auto Anchor™ Rode Counters
Capstan model
Footswitches
Autocleat
Chain stopper
Chain Snubber

MAXWELL

RC8

Rope/Chain Series

Introduction Features **Specifications** Product codes



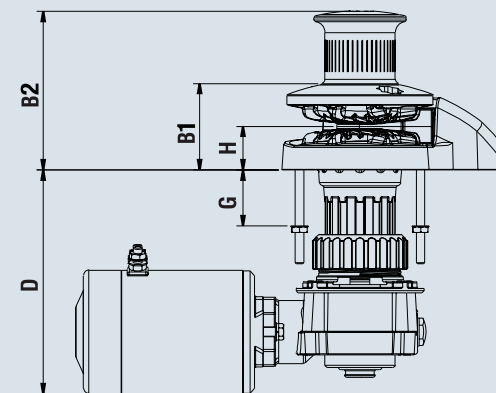
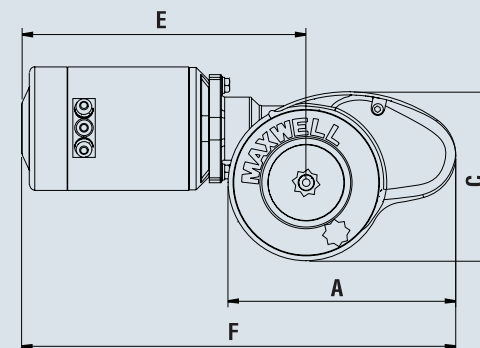
Power and Sailing Boats

SPECIFICATIONS

Model	RC8 6/7MM - 1/4"	RC8 8MM - 5/16"
Maximum Pull	227kg 500lbs	364kg 800lbs
Chain Speed (Anchor Retrieval)	19m/min 62ft/min	33m/min 108ft/min
Rope Speed (Anchor Retrieval)	14m/min 45ft/min	21m/min 69ft/min
Power Supply (DC)	12 or 24V	12 or 24V
Motor (Watts)	600W	1000W
Rope Size	12mm 1/2"	14mm 5/8"
Chain Short Link	6m/7mm 1/4"	8mm 9/16"
Net Weight	12.5kg 27.5lbs	16.5kg 36.3lbs

DIMENSIONS

Model	RC8 6/7mm - 1/4"	RC8 8mm - 5/16"
A	210mm 10 1/4"	210mm 10 1/4"
B1	81mm 3 3/16"	81mm 3 3/16"
B2 (with capstan)	146mm 5 3/4"	146mm 5 3/4"
C	156mm 6 1/8"	156mm 6 1/8"
D	193mm 7 9/16"	215mm 8 7/16"
E	240mm 9 7/16"	272mm 10 3/4"
F	370mm 14 9/16"	400mm 15 3/4"
G (Std deck clearance)	65mm 4"	65mm 4"
H	40mm 1 9/16"	40mm 1 9/16"
I	66mm 5 2/8"	66mm 5 2/8"
J	44mm 1 3/4"	44mm 1 3/4"



Important: Maxwell windlasses must be used in conjunction with a chain stopper or snubbing device to take the load off the windlass while laying at anchor. The chain stopper and alternative snubbing system should also be used to secure the anchor in the fully raised position while under way.

3 YEAR
Limited Warranty

MAXWELL

Home Contact us About us

RC8

Rope/Chain Series

Introduction Features Specifications **Product codes**



Power and Sailing Boats

PRODUCT CODES

Product code	Model
P102550	RC8-6 65TDC 12v 500W
P102551	RC8-6 65TDC 24v 600W
P102552	RC8-6 65TDC 12v 500W Capstan
P102553	RC8-6 65TDC 24v 600W Capstan
P102558	RC8-8 65TDC 12v 1000W
P102559	RC8-8 65TDC 24v 1200W
P102560	RC8-8 65TDC 12v 1000W Capstan
P102561	RC8-8 65TDC 24v 1200W Capstan

Recommended Accessories



3 YEAR
Limited Warranty

MAXWELL

RC6

Rope/Chain Series

[Introduction](#) [Features](#) [Specifications](#) [Product Codes](#)



Power and Sailing Boats

The RC6 automatic rope/chain anchor winches are Maxwell's newest editions to the highly successful RC Windlass Range.



**THE ALL NEW RC6
LOW PROFILE VERSION**

3 YEAR
Limited Warranty

MAXWELL

RC6

Rope/Chain Series

Introduction **Features** Specifications Product Codes



FEATURES

Power and Sailing Boats

- The RC6 utilises 6mm/7mm (1/4") chain spliced to 12mm (1/2") three strand or 8-plait rope.
- Providing most of the features of the larger RC8, the RC6 has been designed with the smaller, trailer boat market in mind.
- The in-line, vertical gearbox and motor means quick and easy installation by either the boat yard or the DIY aftermarket customer.
- An inexpensive, high performance and great looking windlass; the RC6 is built for durability and years of trouble free use.
- The RC6 is available only as a low profile unit (no optional capstan drum).



RC6 SHOWING, 'FAST INSTALL', IN-LINE VERTICAL GEARBOX AND MOTOR

STANDARD EQUIPMENT

Circuit breaker/isolator panel
Up/down remote control panel
Emergency free-fall clutch release handle

OPTIONAL EXTRAS

Auto Anchor™ Rode Counters
Footswitches
Chain stopper
Chain snubber

3 YEAR
Limited Warranty

MAXWELL

RC6

Rope/Chain Series

Introduction Features **Specifications** Product Codes



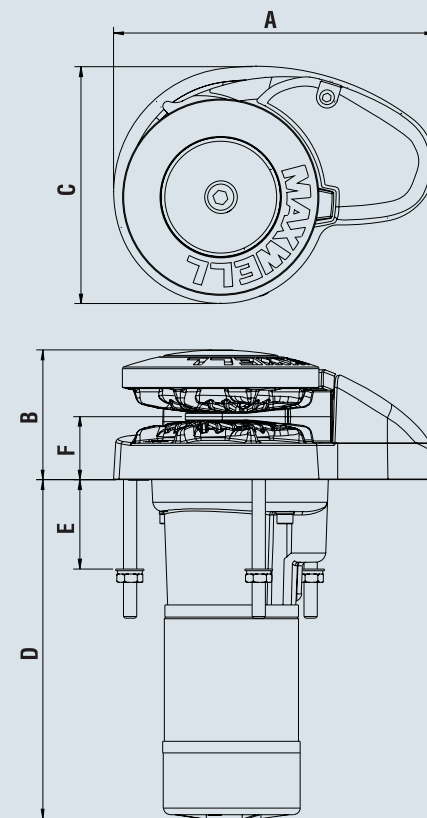
Power and Sailing Boats

SPECIFICATIONS

Model	RC6
	6mm/7mm - 1/4"
Maximum Pull	227kg
	500lbs
Chain Speed	19m/min
(Anchor Retrieval)	62ft/min
Rope Speed	14m/min
(Anchor Retrieval)	45ft/min
Power Supply (DC)	12V
Motor (Watts)	500W
Rope Size	12mm
	1/2"
Chain Short Link	6mm/7mm
	1/4"
Net Weight	8.5kg
	18.7lbs

DIMENSIONS

Model	RC6
	6mm/7mm - 1/4"
A	196mm
	7 3/4"
B	81mm
	3 3/16"
C	145mm
	5 3/4"
D	210mm
	8 1/4"
E	65mm
	2 1/2"
F	39mm
	1 9/16"



Important: Maxwell windlasses must be used in conjunction with a chain stopper or snubbing device to take the load off the windlass while laying at anchor. The chain stopper and alternative snubbing system should also be used to secure the anchor in the fully raised position while under way.

3 YEAR
Limited Warranty

MAXWELL

RC6

Rope/Chain Series

Introduction Features Specifications **Product Codes**



Power and Sailing Boats

PRODUCT CODES

Product code	Model
P102569	RC6-6 12v 500W

Recommended Accessories



3 YEAR
Limited Warranty

MAXWELL