



**OFFSHORE HATCH • SLIMLINE HATCH
OPENING PORTLIGHT • FIXED PORTLIGHT**

MAXWELL MARINE, WITH OVER THREE DECADES OF EXPERIENCE IN THE MANUFACTURE OF BOAT HATCHES, HAS ACHIEVED A DESERVED REPUTATION FOR PERFORMANCE AND RELIABILITY, RANKING THEIR PRODUCTS AMONGST THE FINEST IN THE WORLD.

Features

Maxwell hatches incorporate a unique "V" system of fitting the acrylic into the extruded, silver anodised aluminium frame ensuring that the window is secured into the frame with unparalleled strength. The "V" system allows the full 10mm (3/8") thickness of the acrylic to be utilised for extra strength and the seal is further enhanced by a double sealant method guaranteeing a watertight hatch in the harshest conditions. The frame is designed to allow easy replacement of the acrylic by a qualified marine glazier should it become damaged.

Offshore Hatch

- Heavy duty, adjustable friction hinges are fitted to all Offshore models. These hinges hold the hatch open in any position from 0 to 200 degrees for maximum accessibility and can be easily tightened or loosened to meet individual preference.
- Extruded aluminium frames on all hatches feature a standard silver anodised finish and a deep 15mm (19/32") internal flange for a simple, professional installation.
- CE Approved for Area I.

Slimline Hatch

- Constructed of high grade aluminium, the Slimline hinge encapsulates a marine grade stainless steel pin within a reinforced nylon bush for years of trouble free operation.
- All slimline hatches, WHC30 and up, come standard with stylish, fully adjustable friction stays allowing the hatch to be quickly and positively locked in any position from 0 to 120 degrees. WHC00, WHC10 and WHC20 hatches are fitted with friction arms.
- Extruded aluminium frames on all hatches feature a standard silver anodised finish and a deep 20mm (7/8") internal flange for a simple, professional installation.
- CE Approved for Area II.

Opening and Fixed Portlights

- Maxwell Euro-styled and CE approved opening and super-low profile fixed portlights, compliment the aesthetics of any craft
- The portlights come complete with mounting screws and a white plastic inner dress trim for hull/superstructures up to 40mm (1 9/16") thick.
- Portlights feature silver inner and outer extruded aluminium frames and come complete with mounting screws for quick installation
- All portlights come standard with 10mm (3/8") thick, smoke-grey acrylic windows, inner dress trims and insect screens. Opening portlights are fitted with glass reinforced nylon friction hinges. Locking levers ensure watertight integrity.

Note: All opening portlights must be installed above deckline.

OFFSHORE HATCH

SLIMLINE HATCH

OPENING PORTLIGHT

FIXED PORTLIGHT

**UNIQUE ACRYLIC
SEALING SYSTEM**



**3 YEAR
Limited Warranty**

HATCH AND PORTLIGHT TRIMS AND SCREENS

Maxwell, vacuum molded PVC, inner dress trims are designed for deck thickness up to 50mm (2") as standard. Hatch and portlight screens are constructed with an attractive lightweight fibreglass mesh, which is UV stabilised and mildew resistant in even the warmest tropical climates. A strong, small diameter, marine grade stainless steel rod surrounds the mesh and enables the screen to be quickly and securely installed in the accompanying hatch trim or, with the use of easy to fit clips, can be used in any hatch opening of corresponding size.



DIMENSIONS

OFFSHORE HATCH • SLIMLINE HATCH
OPENING PORTLIGHT • FIXED PORTLIGHT

OFFSHORE HATCH DIMENSIONS

CODE	CUTOUT SIZE MM (X - Y)	CUTOUT SIZE IN" (X - Y)	CUTOUT RADIUS MM	CUTOUT RADIUS IN"	OUTSIDE SIZE MM (X - Y)	OUTSIDE SIZE IN" (X - Y)	HEIGHT ABOVE DECK MM (W)	HEIGHT ABOVE DECK IN" (W)	TRIMS TO SUIT	SCREENS TO SUIT
WHO00S	262 x 176	10 5/16 x 6 3/4	43	1 11/16	314 x 228	12 3/8 x 9	42	1 5/8	WT00W	WS00L
WH010S	260 x 260	10 1/4 x 10 1/4	43	1 11/16	312 x 312	12 1/4 x 12 1/4	42	1 5/8	WT10W	WS10L
WH020S	347 x 202	13 1/16 x 8	43	1 11/16	399 x 254	15 3/4 x 10	42	1 5/8	WT20W	WS20L
WH030S	457 x 327	18 x 12 7/8	43	1 11/16	509 x 379	20 x 15	42	1 5/8	WT30W	WS30L
WH041S	422 x 422	16 5/8 x 16 5/8	43	1 11/16	474 x 474	18 11/16 x 18 11/16	42	1 5/8	WT41W	WS41L
WH045S	507 x 377	20 x 14 13/16	43	1 11/16	559 x 429	22 x 16 7/8	42	1 5/8	WT45W	WS45L
WH050S	507 x 507	20 x 20	43	1 11/16	559 x 559	22 x 22	42	1 5/8	WT50W	WS50L
WH062S	627 x 627	24 11/16 x 24 11/16	43	1 11/16	679 x 679	26 3/4 x 26 3/4	42	1 5/8	WT62W	WS62L

SLIMLINE HATCH DIMENSIONS

CODE	CUTOUT SIZE MM (X - Y)	CUTOUT SIZE IN" (X - Y)	CUTOUT RADIUS MM	CUTOUT RADIUS IN"	OUTSIDE SIZE MM (X - Y)	OUTSIDE SIZE IN" (X - Y)	HEIGHT ABOVE DECK MM (W)	HEIGHT ABOVE DECK IN" (W)	TRIMS TO SUIT	SCREENS TO SUIT
WHC00S	262 x 176	10 5/16 x 6 3/4	43	1 11/16	336 x 250	13 1/4 x 9 7/8	22	7/8	WT00W	WS00L
WHC10S	260 x 260	10 1/4 x 10 1/4	43	1 11/16	314 x 314	12 3/8 x 12 3/8	22	7/8	WT10W	WS10L
WHC20S	347 x 202	13 11/16 x 8	43	1 11/16	421 x 276	16 9/16 x 10 7/8	22	7/8	WT20W	WS20L
WHC30S	457 x 327	18 x 12 7/8	43	1 11/16	531 x 401	20 7/8 x 15 3/4	22	7/8	WT30W	WS30L
WHC41S	422 x 422	16 5/8 x 16 5/8	43	1 11/16	496 x 496	19 1/2 x 19 1/2	22	7/8	WT41W	WS41L
WHC45S	507 x 377	20 x 14 13/16	43	1 11/16	581 x 451	22 7/8 x 17 3/4	22	7/8	WT45W	WS45L
WHC50S	507 x 507	20 x 20	43	1 11/16	581 x 581	22 7/8 x 22 7/8	22	7/8	WT50W	WS50L
WHC62S	627 x 627	24 11/16 x 24 11/16	43	1 11/16	701 x 701	27 5/8 x 27 5/8	22	7/8	WT62W	WS62L

SLIMLINE TRAPEZOID HATCH DIMENSIONS

CODE	CUTOUT SIZE MM (X - Y - Z)	CUTOUT SIZE IN" (X - Y - Z)	CUTOUT RADIUS MM	CUTOUT RADIUS IN"	OUTSIDE SIZE MM (X - Y - Z)	OUTSIDE SIZE IN" (X - Y - Z)	HEIGHT ABOVE DECK MM (W)	HEIGHT ABOVE DECK IN" (W)	TRIMS TO SUIT	SCREENS TO SUIT
WHC55S	557 x 588 x 436	21 15/16 x 23 3/16 x 17 3/16	43	1 11/16	636 x 659 x 500	25 x 26 x 19 1/16	22	7/8	WT55W	WS55L

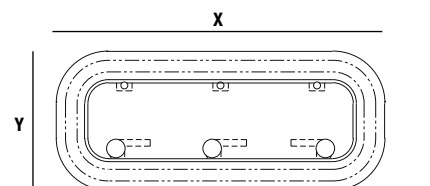
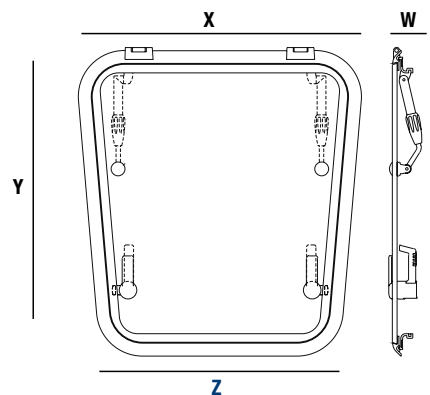
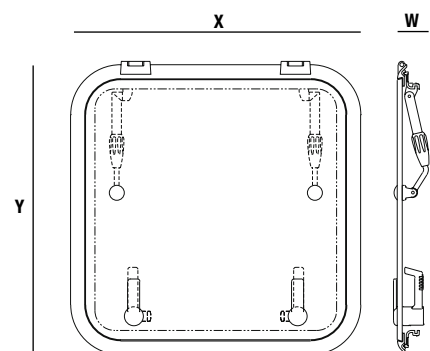
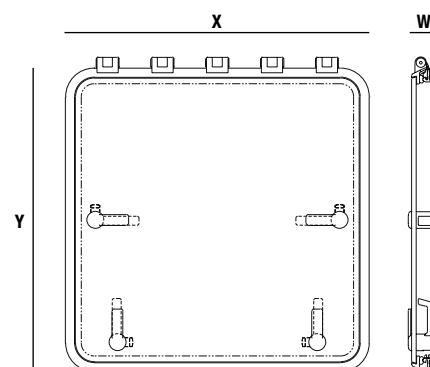
OPENING PORTLIGHTS DIMENSIONS (Trims and screens included)

CODE	CUTOUT SIZE MM (X - Y)	CUTOUT SIZE IN" (X - Y)	CUTOUT RADIUS MM	CUTOUT RADIUS IN"	OUTSIDE SIZE MM (X - Y)	OUTSIDE SIZE IN" (X - Y)	HEIGHT ABOVE DECK MM (W)	HEIGHT ABOVE DECK IN" (W)
WPO00S	297 x 162	11 11/16 x 6 3/8	57	2 1/4	315 x 180	12 3/8 x 7 1/8	N / A	N / A
WPO01S	350 x 175	13 3/4 x 6 7/8	57	2 1/4	368 x 193	14 1/2 x 7 5/8	N / A	N / A
WPO02S	407 x 162	16 1/16 x 6 3/8	57	2 1/4	425 x 180	16 7/8 x 7 1/8	N / A	N / A
WPO03S	435 x 175	17 1/8 x 6 1/8	57	2 1/4	453 x 193	17 5/8 x 7 5/8	N / A	N / A
WPO04S	634 x 175	25 x 6 7/8	57	2 1/4	652 x 193	25 1/2 x 7 5/8	N / A	N / A

FIXED PORTLIGHTS DIMENSIONS (Trims included)

CODE	CUTOUT SIZE MM (X - Y)	CUTOUT SIZE IN" (X - Y)	CUTOUT RADIUS MM	CUTOUT RADIUS IN"	OUTSIDE SIZE MM (X - Y)	OUTSIDE SIZE IN" (X - Y)	HEIGHT ABOVE DECK MM (W)	HEIGHT ABOVE DECK IN" (W)
WPF00S	293 x 158	11 9/16 x 6 3/16	55	2 3/16	315 x 180	12 3/8 x 7 1/8	N / A	N / A
WPF01S	346 x 171	13 5/8 x 6 11/16	55	2 3/16	368 x 193	14 1/2 x 7 5/8	N / A	N / A
WPF02S	403 x 158	15 7/8 x 6 3/16	55	2 3/16	428 x 180	16 7/8 x 7 1/8	N / A	N / A
WPF03S	431 x 171	17 x 6 11/16	55	2 3/16	453 x 193	17 7/8 x 7 5/8	N / A	N / A
WPF04S	631 x 171	24 7/8 x 6 11/16	55	2 3/16	648 x 193	25 1/2 x 7 5/8	N / A	N / A

Do not cut opening before receiving your Hatch or Portlight. Hatches and Portlights should be fitted to a flat surface with a maximum tolerance of 1mm.



Maxwell Marine International Ltd
PO Box 100-703 Auckland 0745
New Zealand
TEL +64 9 985 6600
FAX +64 9 985 6699

Maxwell Marine Australia
PO Box 1292 Capalaba, 4157
Queensland, Australia
TEL +61 7 3245 4755
FAX +61 7 3245 5906



Locking Handles

The all new ergonomically designed internal locking handles secure the hatch in the fully closed or ventilation position.



Ventilation Position

All Maxwell hatches are designed to allow the hatch to be opened, locked and secured in a ventilation position with a 10mm (3/8 inch) opening. Internal security is maintained by Maxwell's unique locking system.